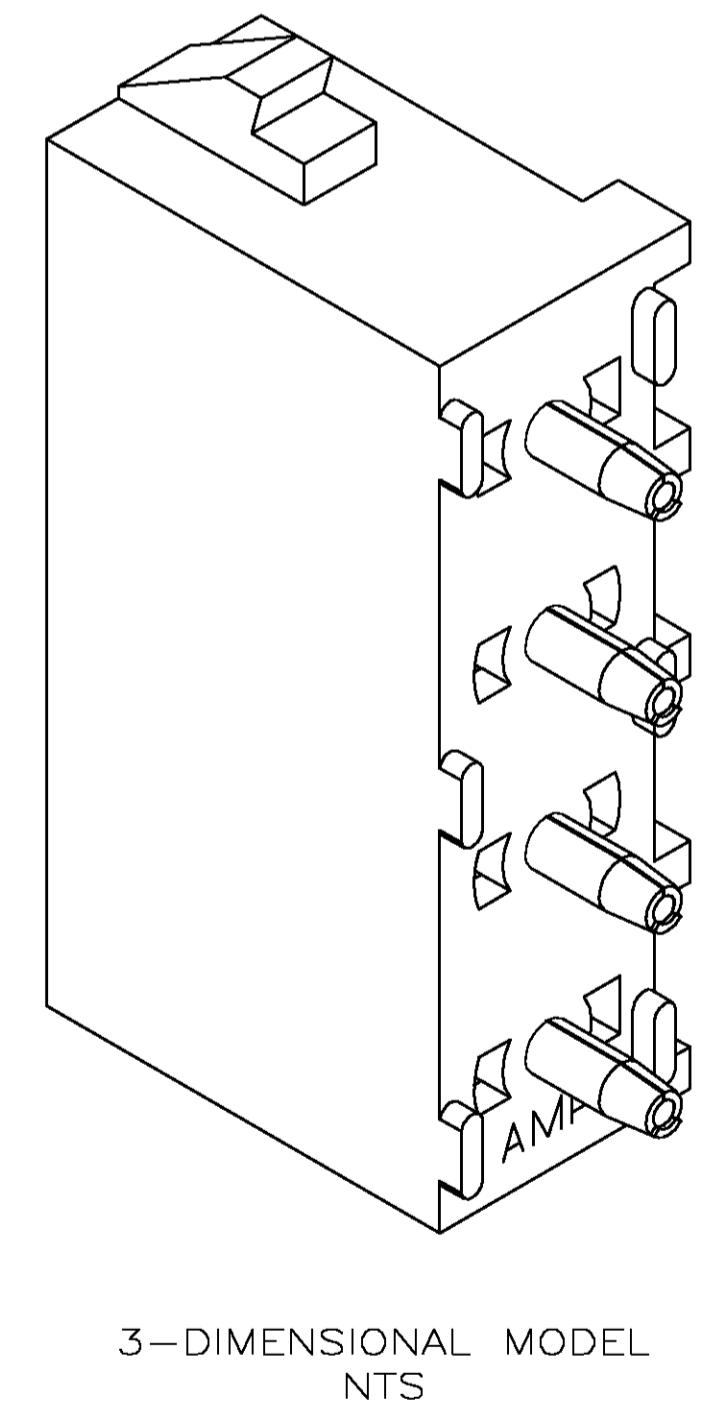
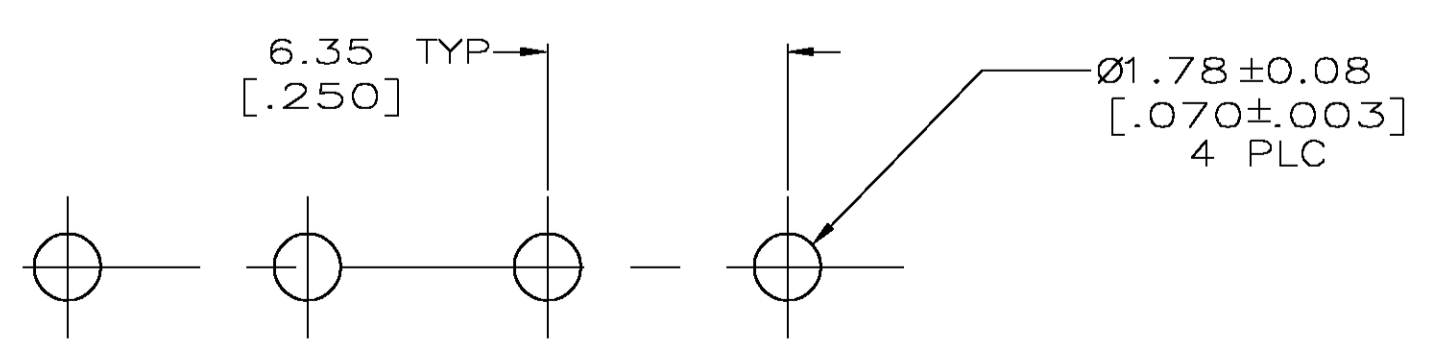
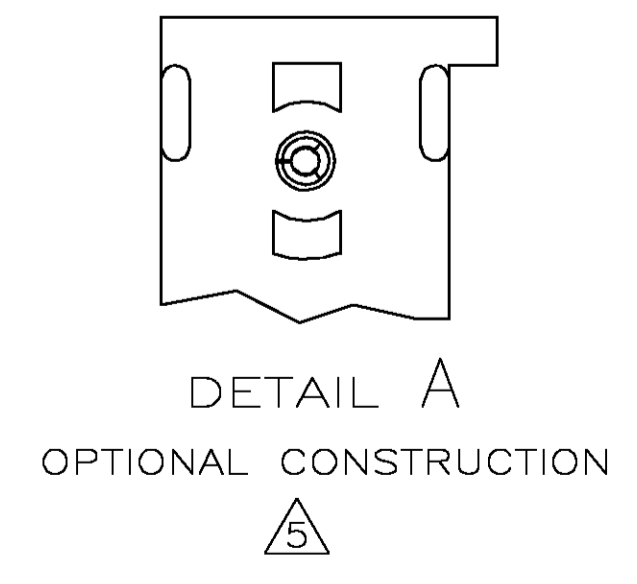
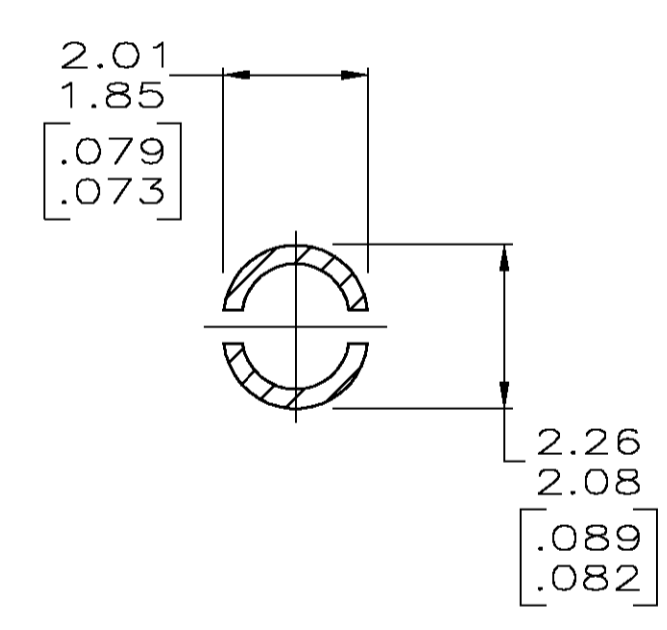
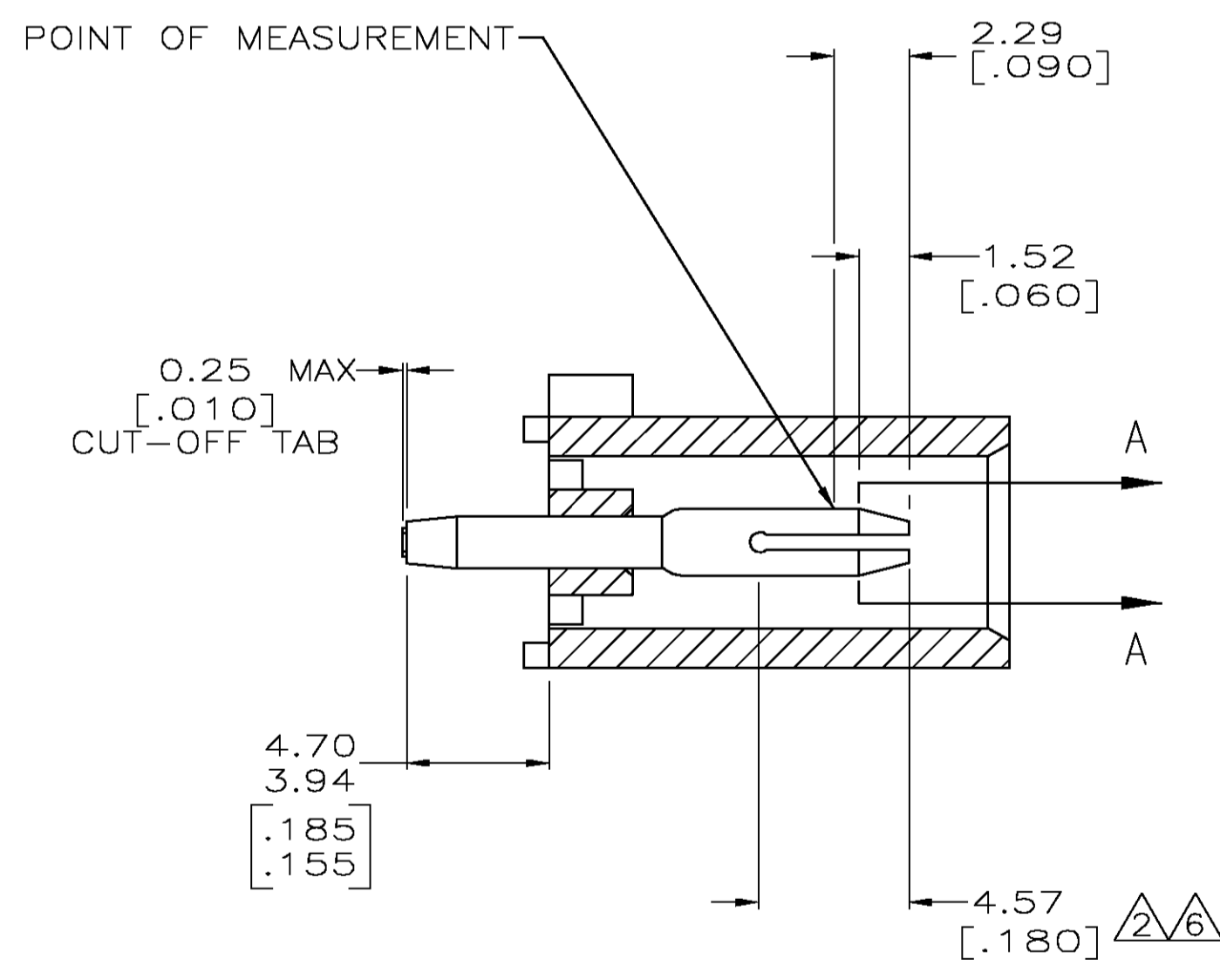


- PARTS COMPLY TO AMP SOLDERABILITY SPECIFICATION 109-11-3.
- CONTACT IS PLATED OVERALL WITH 0.00127 [.000050] NICKEL, THEN 0.00076 [.000030] GOLD OVER CONTACT LENGTH INDICATED AND MATTE TIN LEAD ON SOLDER TAIL END.
- CIRCUIT IDENTIFICATION CHARACTERS ARE ADJACENT TO THE INDICATED CAVITIES, BUT LOCATION AND ORIENTATION MAY DIFFER FROM PRINT.
- DIMENSIONS IN BRACKETS ARE IN INCHES.
- DRAIN HOLES LOCATED AS SHOWN. OPTIONAL CONSTRUCTION - ALL DRAIN HOLES LOCATED 90° AS SHOWN IN DETAIL A.
- CONTACT IS PLATED OVERALL WITH 0.00127 [.000050] NICKEL, THEN 0.00076 [.000030] GOLD OVER CONTACT LENGTH INDICATED AND MATTE TIN ON SOLDER TAIL END.



PHOSPHOR BRONZE, GOLD	NYLON, UL94V-2, NATURAL	350430-4
PHOSPHOR BRONZE, GOLD	NYLON, UL94V-2, NATURAL	350430-2
PHOSPHOR BRONZE, PRE-TIN	NYLON, UL94V-2, NATURAL	350430-1
PIN CONTACT MATERIAL AND FINISH	HOUSING MATERIAL	PART NUMBER

METRIC

THIS DRAWING IS A CONTROLLED DOCUMENT.

DIMENSIONS: mm [INCHES]	TOLERANCES UNLESS OTHERWISE SPECIFIED:	APVD: M. TRULL	PRODUCT SPEC:
0 PLC ± -	1 PLC ± -	2 PLC ± 0.13 [.005]	APPLICATION SPEC
3 PLC ± -	4 PLC ± -	ANGLES ± - 0° 30'	FINISH

DIN 9 LEWIS 8-25-98  
 CJK R SWING 8-25-98  
 Tyco Electronics Corporation  
 Greensboro, NC 27409  
 PIN HEADER ASSEMBLY, 4 CIRCUIT UNIVERSAL MATE-N-LOK™  
 SIZE: A1 00779 C=350430  
 WEIGHT: -  
 CUSTOMER DRAWING SCALE: 5:1 SHEET: 1 OF 1 REV: Y